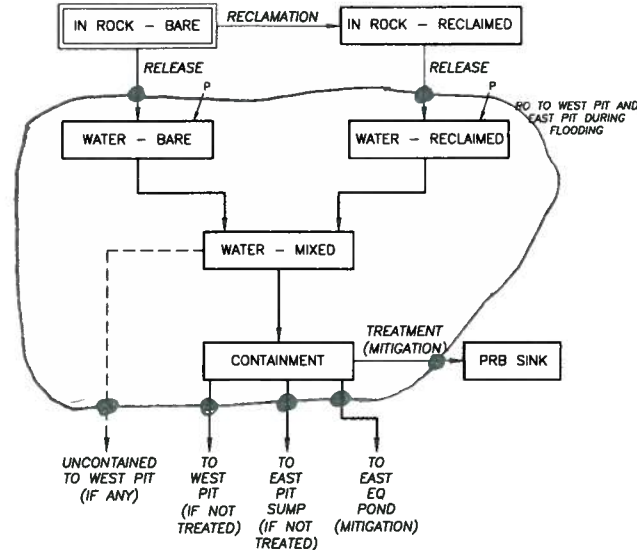
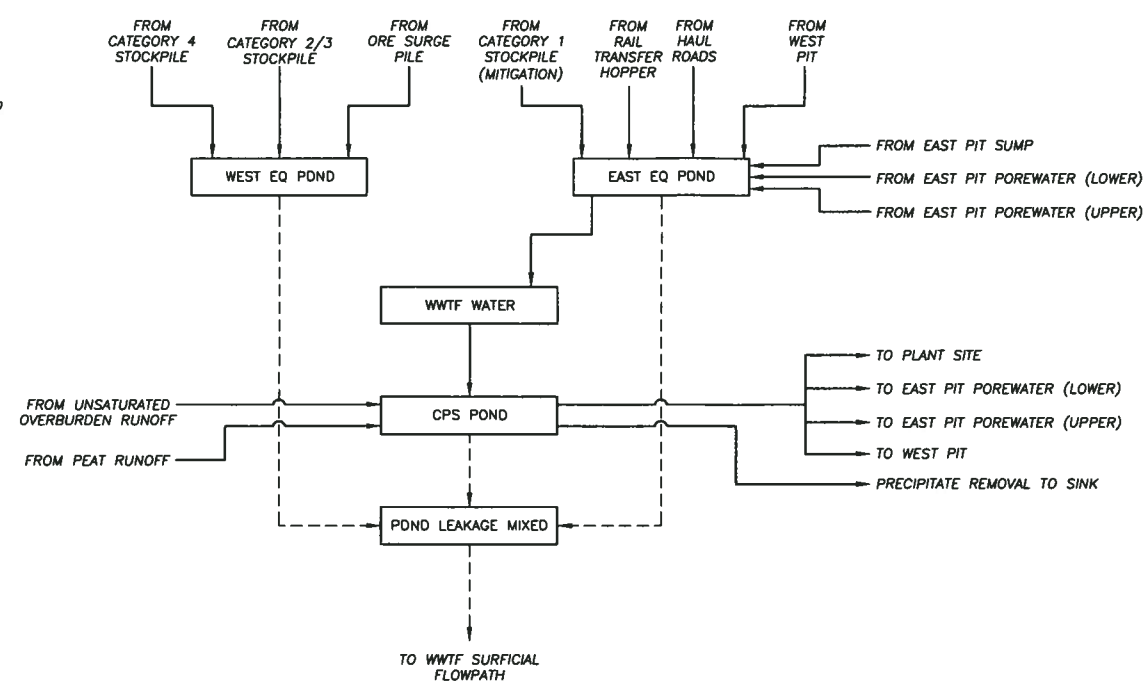


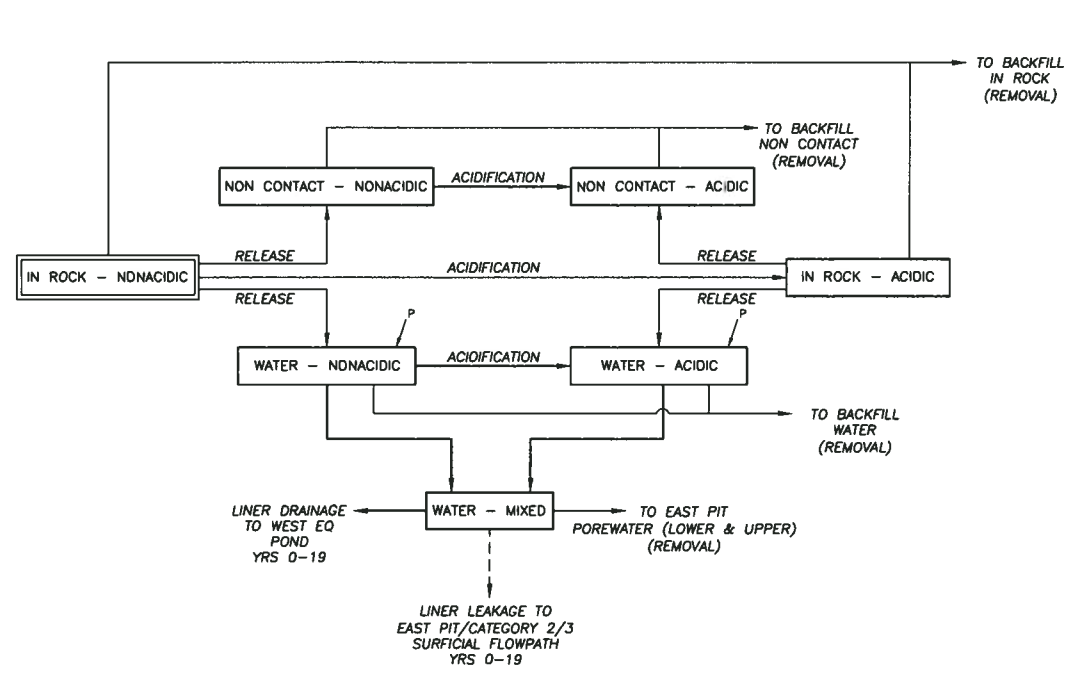
CAD USER: Rick Gauthier FILE: M:\MODEPTWORK\RLC\3589085200_NORTHMET MINE SITE WATER QUALITY DETAILED MODEL FLOWCHART 2.DWG PLOT SCALE: 1:2 PLOT DATE: 6/29/2012 2:10 PM



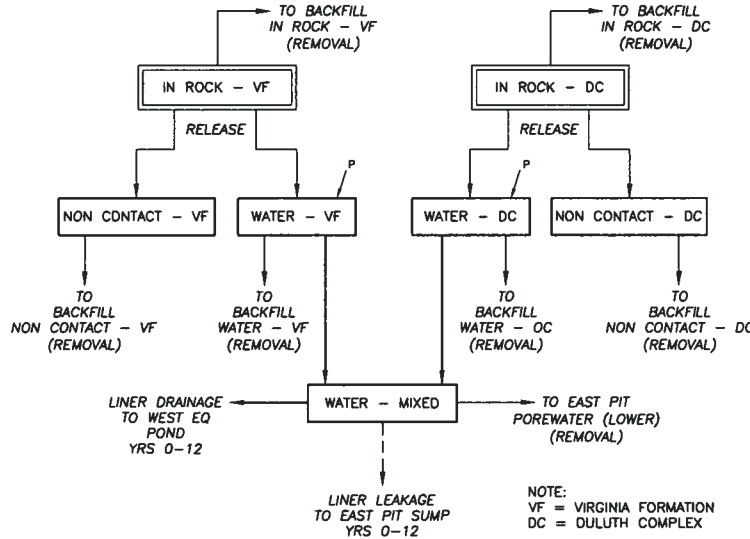
CATEGORY 1 STOCKPILE DETAILED MODEL



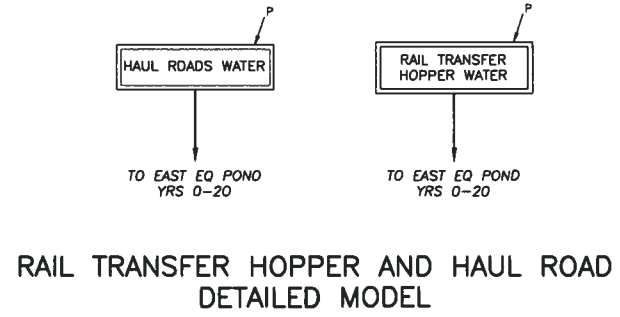
WASTE WATER TREATMENT FACILITY DETAILED MODEL



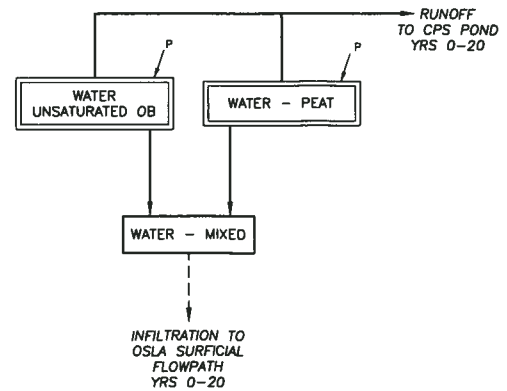
CATEGORY 2/3 STOCKPILE DETAILED MODEL



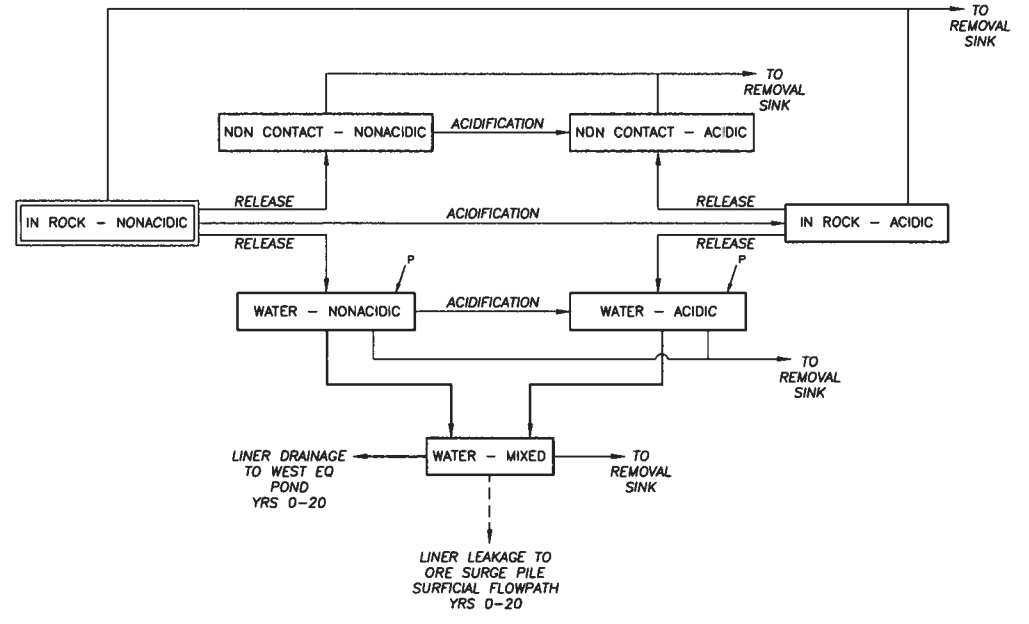
CATEGORY 4 STOCKPILE DETAILED MODEL



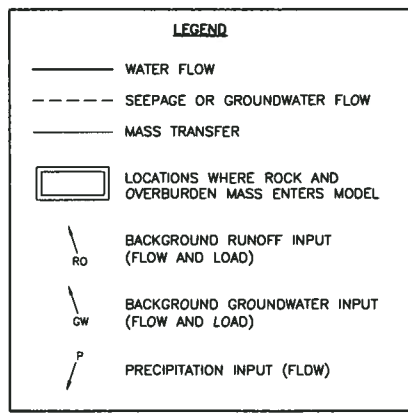
RAIL TRANSFER HOPPER AND HAUL ROAD DETAILED MODEL

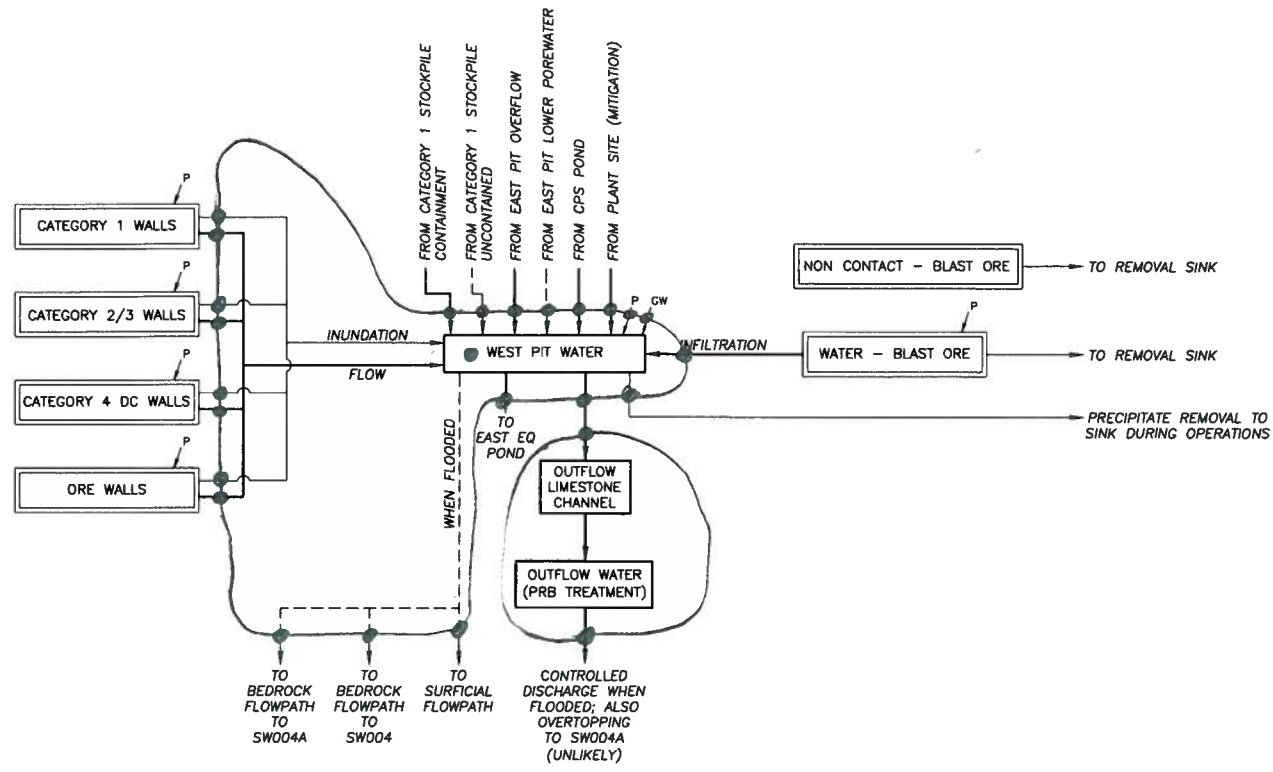


OVERBURDEN STORAGE AND LAYDOWN AREA DETAILED MODEL

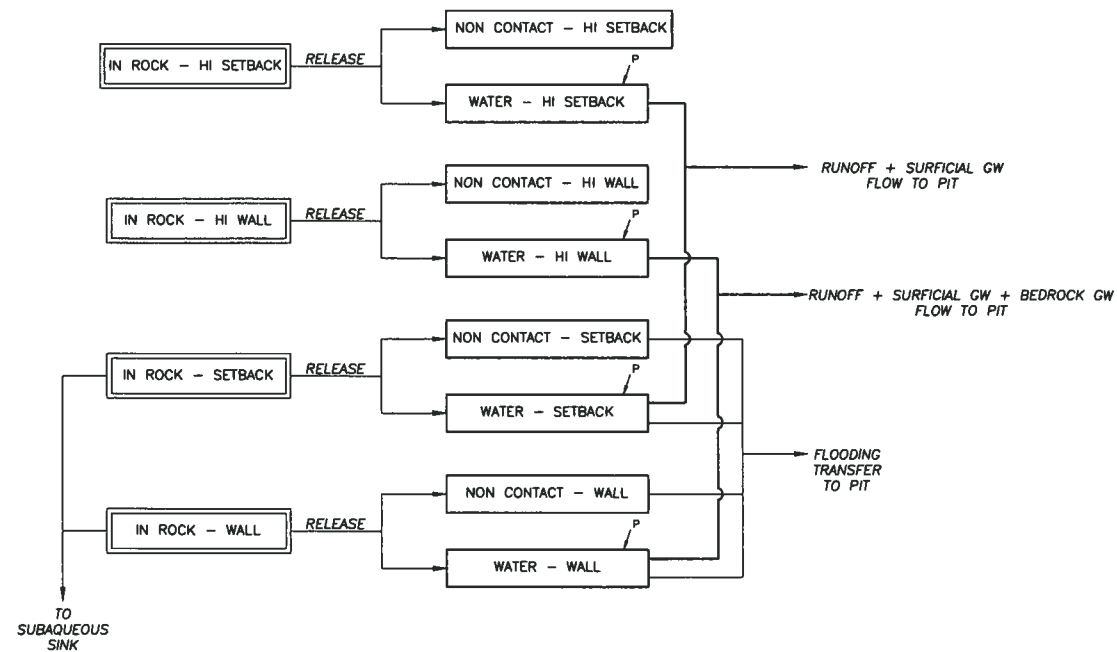


ORE SURGE PILE DETAILED MODEL

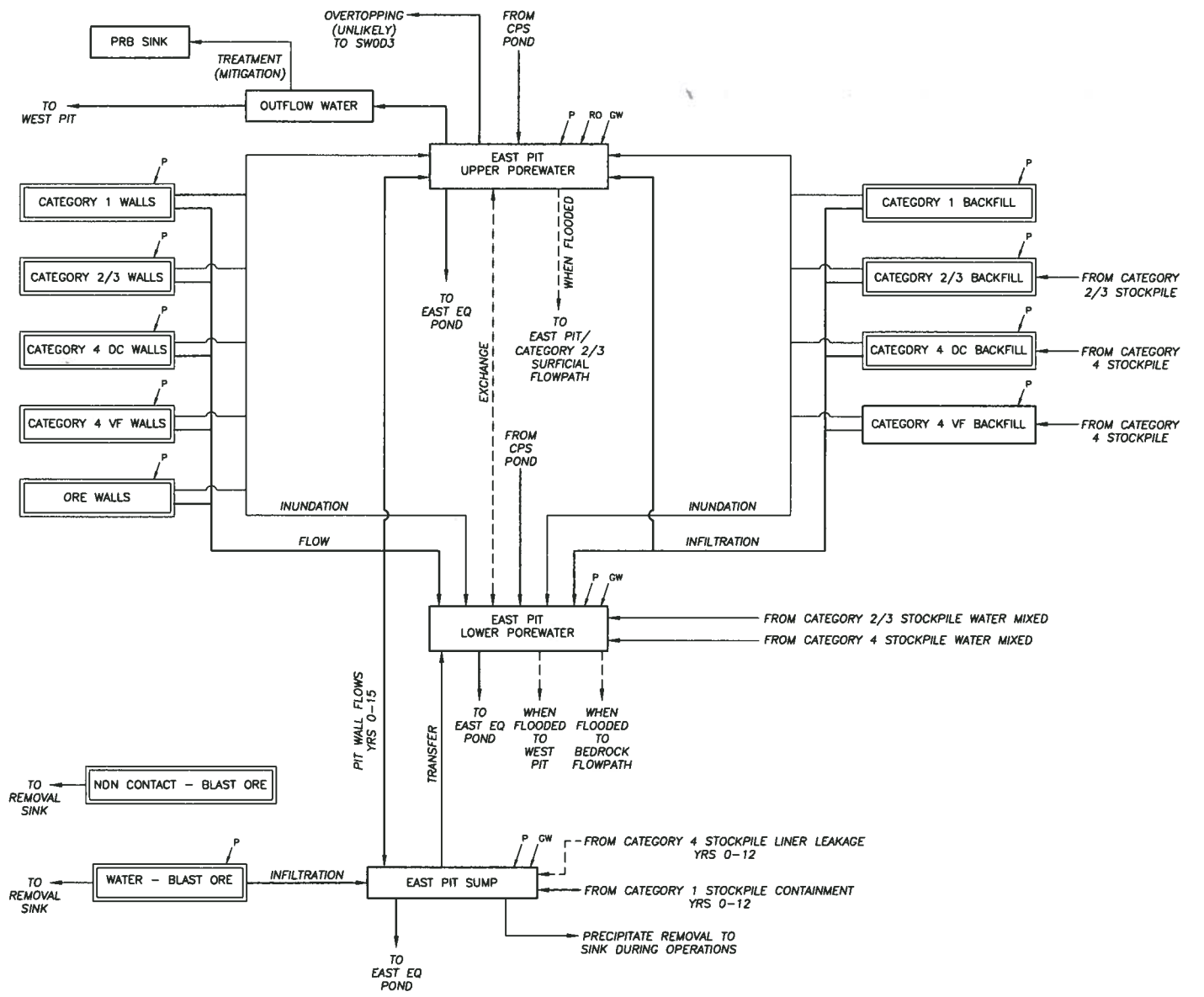
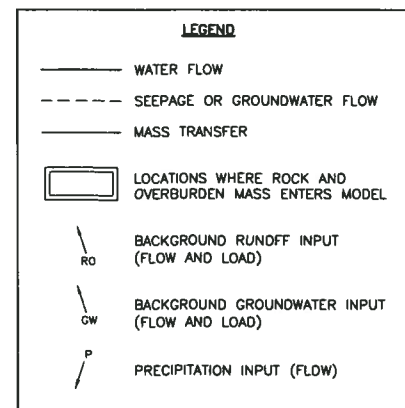




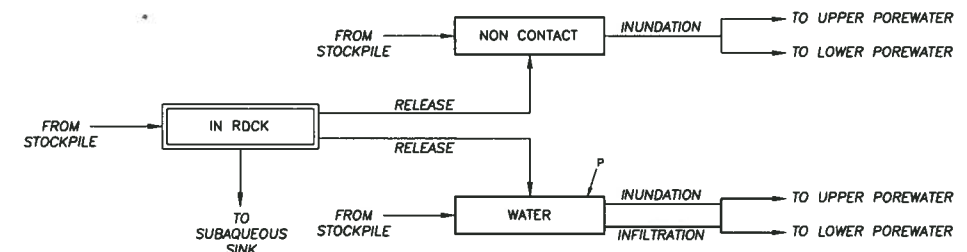
WEST PIT DETAILED MODEL



TYPICAL WALL ROCK DETAILED MODEL (ONE PER WALL ROCK CATEGORY)



EAST PIT DETAILED MODEL



TYPICAL BACKFILL DETAILED MODEL (ONE PER BACKFILL CATEGORY)